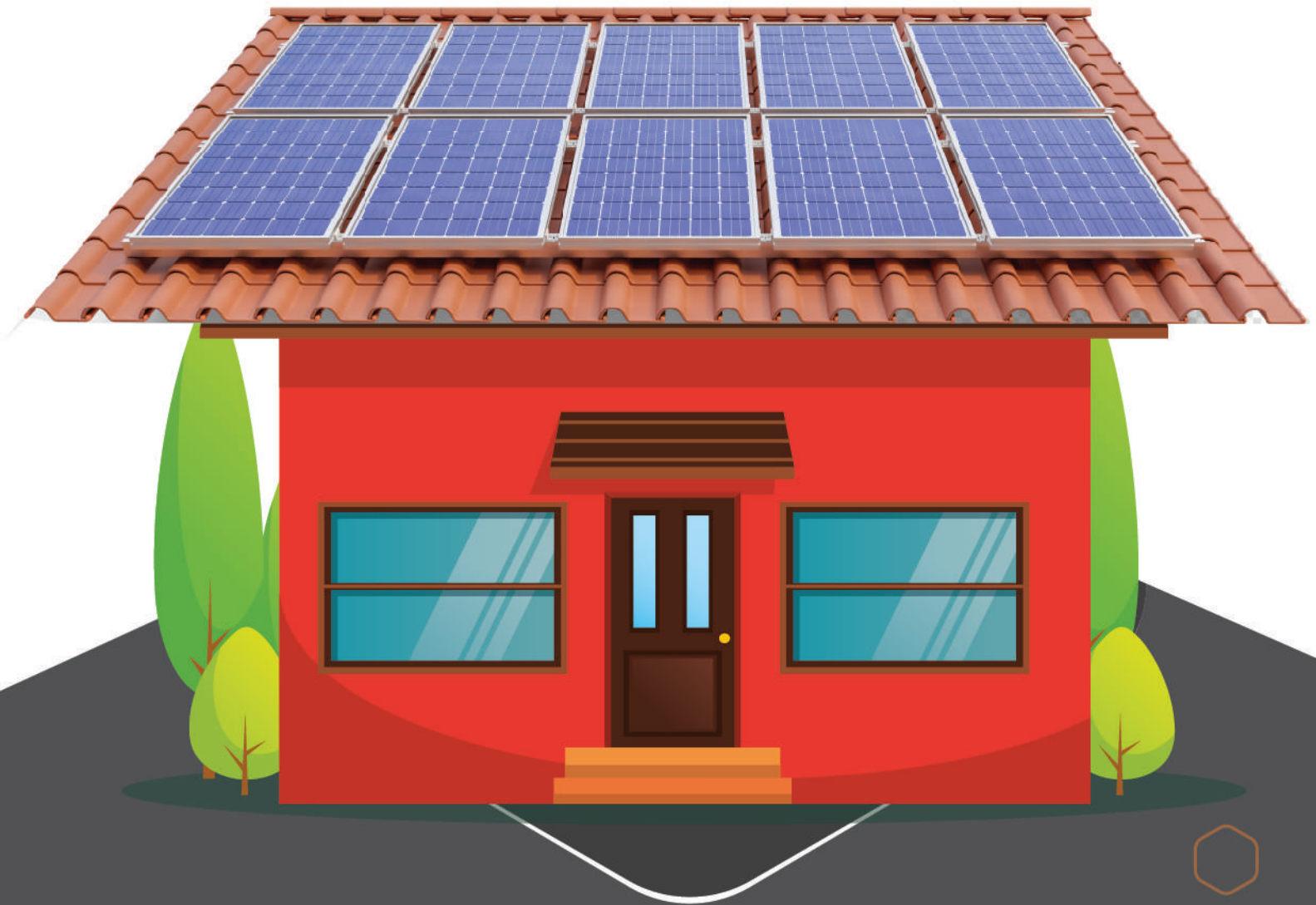


Domestic Roof Top Solar Power plant



Reduce Up to 90% of Your Electricity Bills

With a Subsidized Solar Power Plant.

Your mini guide to installing a domestic rooftop solar plant in Uttarakhand (complete with cost and subsidy details).

Domestic Rooftop Solar Installation



What is Solar Energy?

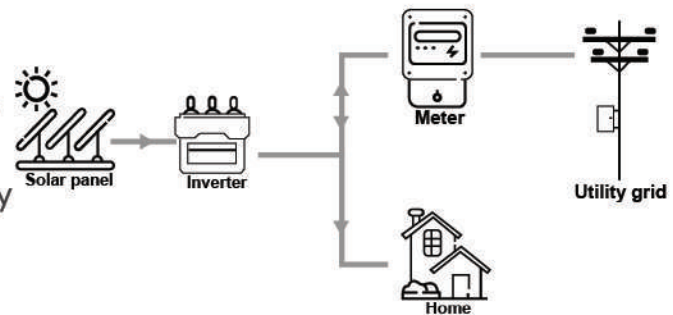
Sun emits a massive amount of energy. You can turn this heat and light into electricity using photovoltaic (PV) technology. All you need to start making your electricity through this method is a shadow-free roof area, solar panels, a solar inverter that converts this power and sends it to your home, and accessories (mounting structure, junction box, cables, etc.)

They together make a domestic rooftop solar plant that will generate power **upto 25 years**.

These PV systems can be of 3 types:

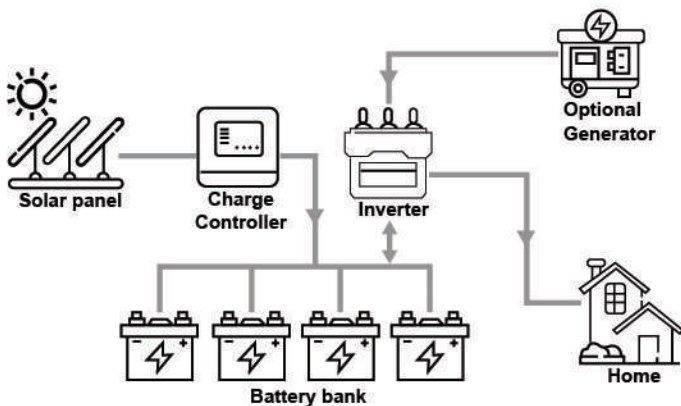
ON-Grid

ON-grid systems are connected to your utility grid (UPCL). If solar generation is low, you can pull energy from the grid to meet the demand. And, in case your plants generate extra power, you can send this energy to the grid and get paid for it. They only work when grid power (your regular electricity) is available.



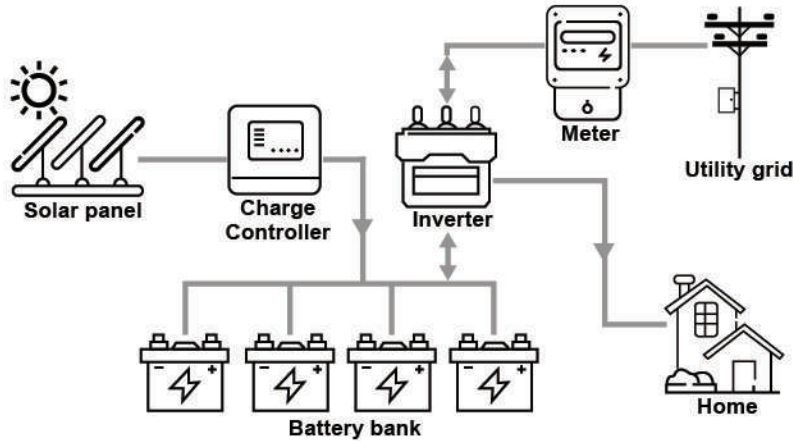
OFF-Grid

OFF-grid systems don't need the utility grid. These are useful in places where power cuts are frequent. The OFF-grid inverter runs parallel with UPCL or as a backup during power failure. You need to attach a battery to these plants to use solar energy both during the day and night.

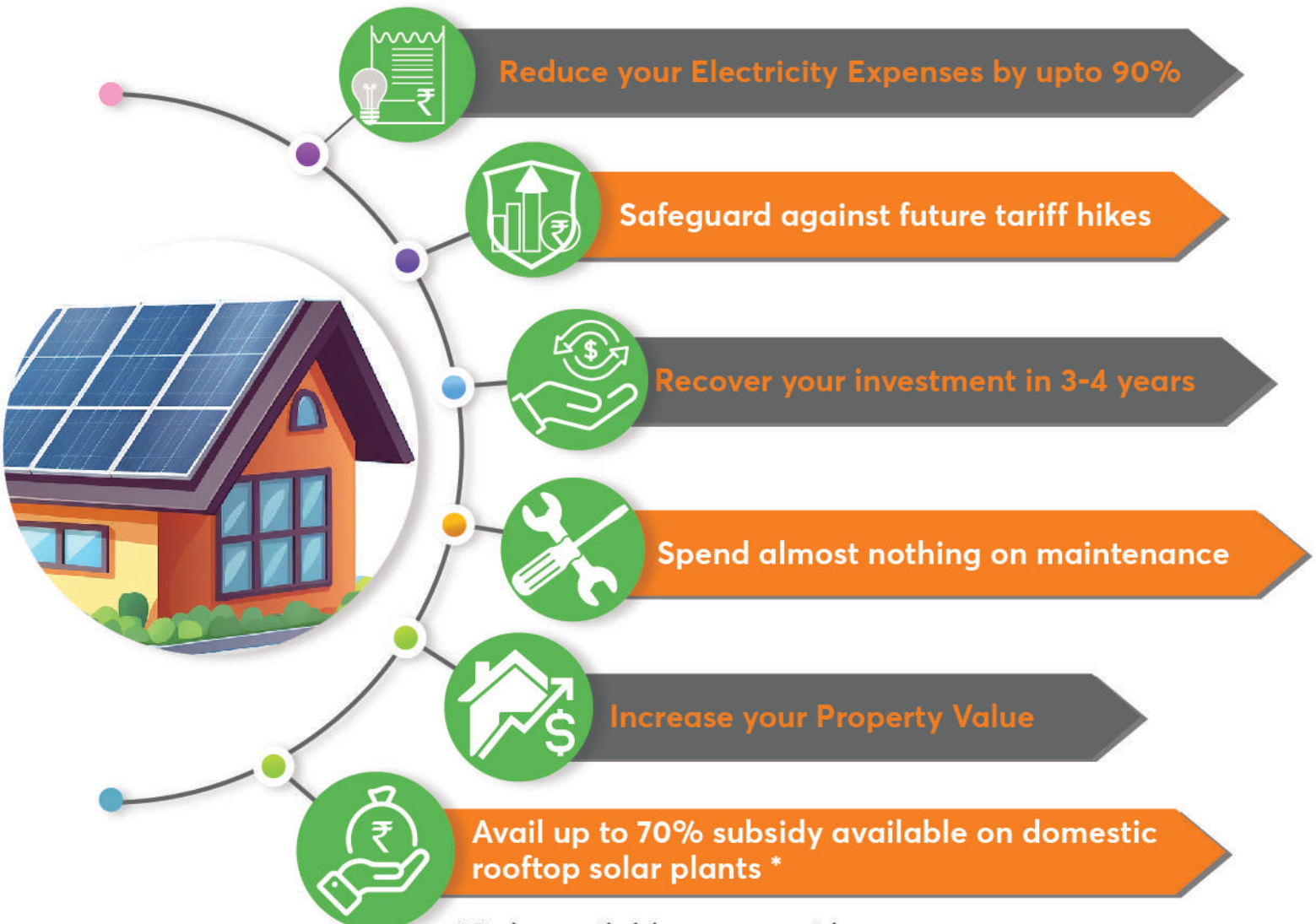


Hybrid

Hybrid systems are a mix of on-grid and off-grid. They can be connected to the utility grid and battery backup. Hybrid solar inverters remain switched on 24 x 7 (through out day). They not only run the home appliances but also charge the battery. In case of power failure, the battery backup provides electricity.



Benefits of Going Solar in Uttarakhand



*Only available on on-grid.

Cost of an On-Grid Solar Plant (With Net metering)

The total cost of your PV system will depend on factors like plant size, location, panel type, etc. A 1kW system is generally priced between ₹50,000-60,000.

However, a big part of this cost is paid by the central and state governments in the form of subsidy.

Subsidy available for Uttarakhand Residents

1. Central Financial Assistance

Incentive offered by the central government. CFA is slightly higher for hilly areas such as Uttarakhand.

System Size	Subsidy Per kW
Up to 3 kW	₹17662
3kW to 10Kw	₹8831
Above 10kW	₹1,14,803 (Fixed)

2. Uttarakhand State Subsidy

Incentive provided in addition to the CFA by the state government.

System Size	Subsidy Per kW
1-3kW	₹17000
Above 3kW	₹51,000 (Fixed)

How much will your Solar Power System Cost?

Project Size (kW)		3kW	4kW	5kW	6kW	8kW	10kW
Price Per Watt		51.74	49.75	54.73	52.40	48.76	46.27
System Cost Before Subsidy		1,56,000.00	2,00,000.00	2,75,000.00	3,16,000.00	3,92,000.00	4,65,000.00
Central Govt. Subsidy	Up to 3kW	52,986.00	52,986.00	52,986.00	52,986.00	52,986.00	52,986.00
	3kW to 10kW	0	8,831.00	17,662.00	26,493.00	44,155.00	61,817.00
State Govt. Subsidy		51,000.00	51,000.00	51,000.00	51,000.00	51,000.00	51,000.00
Total Subsidy		1,03,986.00	1,12,817.00	1,21,648.00	1,30,479.00	1,48,141.00	1,65,803.00
System Cost After Subsidy*		52,014.00	87,183.00	1,53,352.00	1,85,521.00	2,43,859.00	2,99,197.00

Annual Generation/Saving/Return on Investment

Project Size (kW)	3kW	4kW	5kW	6kW	8kW	10kW
Annual Electricity Generation*	3,618	4,824	6,030	7,236	9,648	12,060
Unit Rate (INR)	5.65	5.65	5.65	5.65	5.65	5.65
Annual Saving*	20,442	27,256	34,070	40,883	54,511	68,139
Pay Back*	2.54	3.20	4.50	4.54	4.47	4.39
ROI [%]*	39.30	31.26	22.22	22.04	22.35	22.77

Frequently Asked Questions

1. How much power can a solar plant generate?

A 1kW solar plant will ideally generate 4-5 units in a day, 135 units in a month, and around 1,620 units in a year.

2. What are the area requirements?

Approx. 90-130 sq. ft of roof area is required to set up 1kW solar capacity. This area should be shadow-free for maximum generation.

3. Are solar plants difficult to maintain?

No. Just clean your panels with water once every two weeks to clear away dirt and debris. You can also schedule a preventative check every six months to monitor system health.

4. What is the payback period?

You can recover your initial investment within 3-5 years (or sooner), depending upon the plant size, location, weather conditions, etc.

5. Will I still receive an electricity bill after going solar?

Unless you set up a fully off-grid solar power system, you'll still get an electricity bill. But it will be much lower than what you used to pay before.

Get Started

Start your solar journey with **S&S Energy Systems**.

We are a group of experienced technical and management professionals with over **20 years** of experience in the solar domain.

The S&S team helps you measure your unique energy requirements and meet them with the most **cost-effective** and **efficient solar solutions**, such as Domestic Roof Top and Ground Mount Solar Power Plants, Solar Water heater, Solar Street Lights etc.

We are also the official distributors of world-class solar manufacturers such as WAAREE are recognized and approved by both the central and state governments. Such as: UPCL, UREDA, SECI.

Why Choose S&S Energy Systems?

Trust:

S&S has become a name synonymous with 'trust and dedication' in Uttarakhand. We're recommended by experts and have almost 20 years of experience in delivering energy-efficient solutions.

Expertise:

At S&S, we have a team of trained technical professionals who can help you at every step, from analyzing your needs to designing and installing systems.

Satisfied Customers:

We aim to offer affordable and strong solutions. We've already completed more than 500 domestic rooftop installations in Uttarakhand providing more than 3 MW of power combined.



Some Glimpse for Ground mount Solar Installation



Get in Touch

S&S Energy Systems
(An ISO 9001:2015, 14001:2015, 45001:2018 Certified Company)

Tel: 0135-2645690 Mb: 9759196015

Email: support@snsenergy.in

Website: www.snsenergy.in

Address: Jesika Arcade, Above HDFC Bank, Near Sailok, GMS Road,
Dehradun ,(Uttarakhand) Pin – 248001